

Product Information

Level Indicator NB



- Mounted in the cover
- No moving parts

Characteristics

Mechanical flow indicator for fluid media: The level is displayed directly in a sight glass.

Technical data

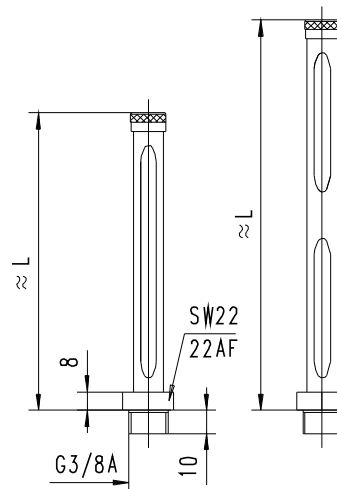
Switch	without
Process connection	male thread G 3/8 A, optional G 1/2 A
Density of medium	≥ 0.01 g/cm ³
Pressure resistance	-
Medium temperature	-20..+80 °C
Ambient temperature	-20..+70 °C
Media	water, oils
Electrical data	none
Materials medium-contact	CW614N, natural glass
Non-medium-contact materials	CW614N, natural glass
Weight	see table "Dimensions and weights"
Installation location	vertical installation position

Dimensions and weights

G	Types	L	Number of sight glasses	Weight kg
G 3/8 A	NB-010HM040	40	1	0.06
	NB-010HM060	60		
	NB-010HM080	80		
	NB-010HM100	100	2	0.07
	NB-010HM125	125		
	NB-010HM150	150		
	NB-010HM200	200		
NB-010HM250	250	2	0.11	
NB-010HM300	300			0.12

Length 40..200

Length 250..300



Vent drilling in cover

Ordering code

NB - 1. 2. 3. 4.
H M

○=Option

1. Connection size	010	threaded connection G 3/8 A
	015	○ threaded connection G 1/2 A
2. Process connection	H	screw-in thread
3. Connection material	M	brass
4. Length	040	40 mm
	060	60 mm
	080	80 mm
	100	100 mm
	125	125 mm
	150	150 mm
	200	200 mm
	250	250 mm
	300	300 mm