

Product Information

Sensors and Instrumentation

Pressure Switch PH1

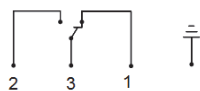


- Adjustable switch point
- Adjustable hysteresis
- Change over contact
- Plug DIN 43650-A
- Lateral cable exit

Characteristics

Mechanical pressure controller in which a membrane or piston is pre tensioned by a spring. Two adjustment screws permits the setting of the switch point and the hysteresis.

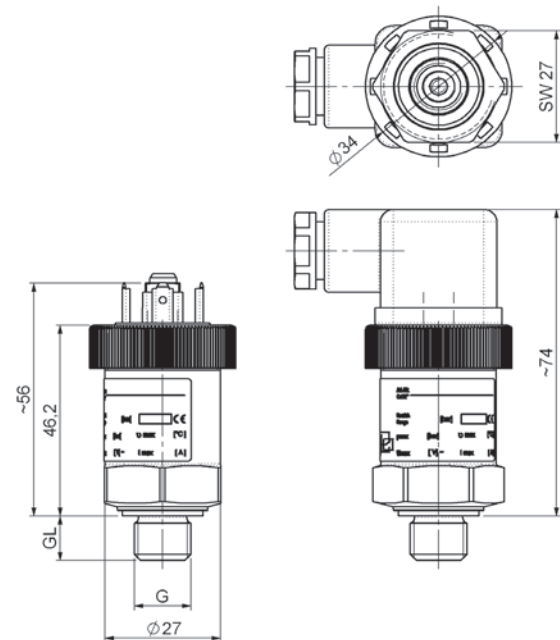
Technische Daten

Switch	Mechanical switch	
Process connection	Male thread R1/4, G1/8, G1/4, 1/4NPT, 1/8NPT, M10x1	
Switching range	0,2..320 bar	for details see table "Ranges"
Pressure resistance	PS 60bar/ 350 bar	
Tolerance	± 2% at RT relative to full scale value	
Hysteresis	Adjustable, see diagram „Hysteresis“	
Media temperature	-20..+80°C (Viton 0..100°C)	
Ambient temperature	-20..+80°C	
Media	water, oils, gases	
Wiring	Change over No. 0.467 	
Switching voltage	Max. 250 VAC	
Switching current	Max. 4 A (2 A inductive)	
Protection class	1 – PE connection	
Ingress protection	IP 65	
Electrical connection	Plug DIN 43650-A/ ISO 4400 with screw clamp in the plug	
Materials medium-contact	Diaphragm type: NBR or EPDM or Viton. Piston type: PTFE with NBR or EPDM or Viton steel, zinc coated or stainless steel	
Non-medium-contact materials	PA 6.6, NBR	
Weight	0,15kg	
Installation location	installation location as desired	

Ranges

Switching Range bar (rel.)	Type	Pressure resistance PS bar	Functional principle
- 0,85 .. 1	001	60	Diaphragm
0,2 .. 2	002		
0,5 .. 8	008		
1 .. 16	016		
10 .. 30	030	350	Piston
10 .. 80	080		
10 .. 120	120		
10 .. 160	160		
20 .. 200	200		
20 .. 250	250		
30 .. 320	320		

Dimensions



Handling and operation

Notes

- If the medium is dirty, install a filter
- It must be ensured that the values given for voltage, current, and power are not exceeded.
- Check resistance to aggressive media, no DI water.
- Supplied with mating plug.

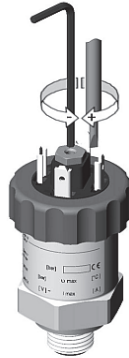
Torques and thread lengths of the fluid connections
R 1/4, G 1/4, 1/4NPT 20-25 Nm 12 mm
G 1/8, 1/8NPT, M10x1 15-20 Nm 10 mm

Product Information

Sensors and Instrumentation

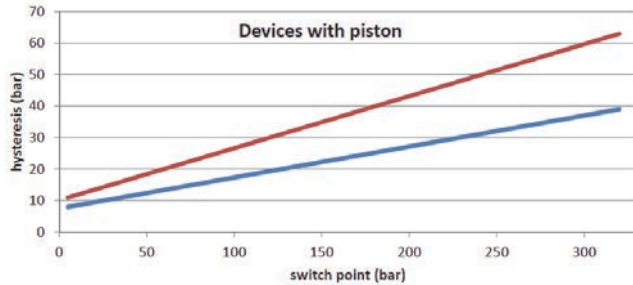
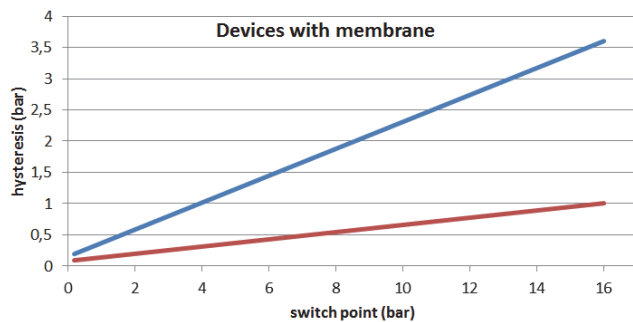
Adjustment

- Loosen the plug and set the desired switching value using a hex wrench (size 2, screw centered). Then adjust the hysteresis using a longitudinal slot screwdriver 2,5x0,4 (screw laterally). Turn to right increases the value. Then attach the plug back onto the device and tighten the screw.



Hysteresis

The diagram indicates possible adjustments of the hysteresis in relation to the switch point (idealized representation). Thus, for example for the piston type at a switch point 130 bar, it can be set a hysteresis between 20 bar and 32 bar.



Ordering code

PH1 - 1. 2. 3. 4. 5. 6.

 PH1 -

1. Switching range	
001	- 0,85 .. 1 bar
002	0,2 .. 2 bar
008	0,5 .. 8 bar
016	1 .. 16 bar
030	10 .. 30 bar
080	10 .. 80 bar
120	10 .. 120 bar
160	10 .. 160 bar
200	20 .. 200 bar
250	20 .. 250 bar
320	30 .. 320 bar
2. Connection material	
K	Stainless steel
S	Steel, zinc coated
3. Connection size	
004A	G 1/8A
008H	R 1/4
008A	G 1/4A
009H	NPT1/8 no stainless steel
011A	M10x1 no stainless steel
012H	NPT1/4
4. Rotatable	
0	Fixed
5. Electrical connection	
B	Plug DIN 43650-A
6. Sealing / diaphragm	
N	NBR
E	EPDM
V	Viton

Options

- Factory setting of the switch point and hysteresis on falling or rising pressure.